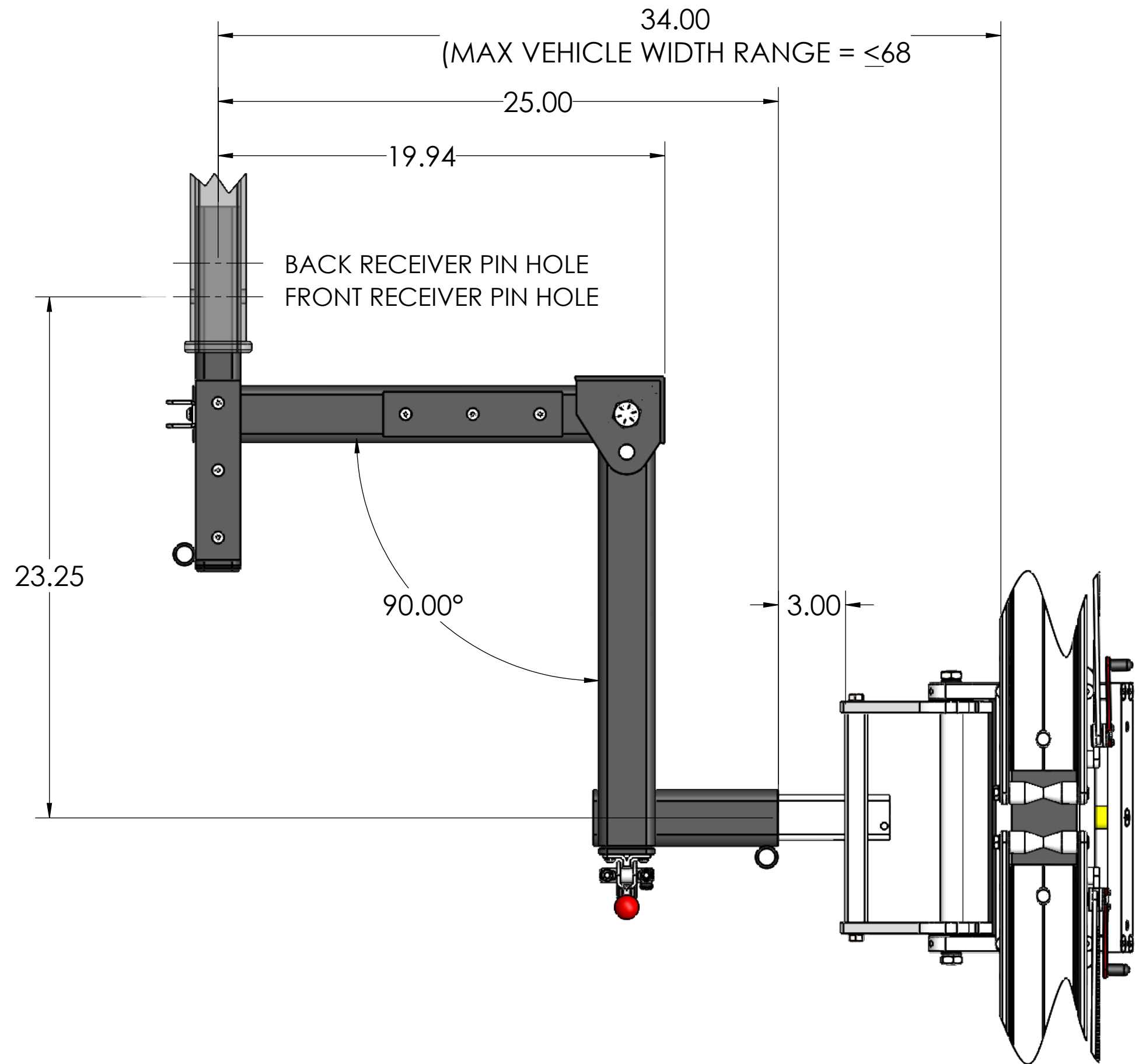


**SMALL PASSENGER SIDE**

SMALL DRIVER SIDE DIMENSIONS TO MATCH. ONLY DIFFERENCE IS THAT UNIT SWINGS TO OPPOSITE SIDE OF THE VEHICLE.  
ALL DIMENSIONS IN INCHES.



**SMALL PASSENGER SIDE**

SMALL DRIVER SIDE DIMENSIONS TO MATCH. ONLY DIFFERENCE IS THAT UNIT SWINGS TO OPPOSITE SIDE OF THE VEHICLE.  
ALL DIMENSIONS IN INCHES.