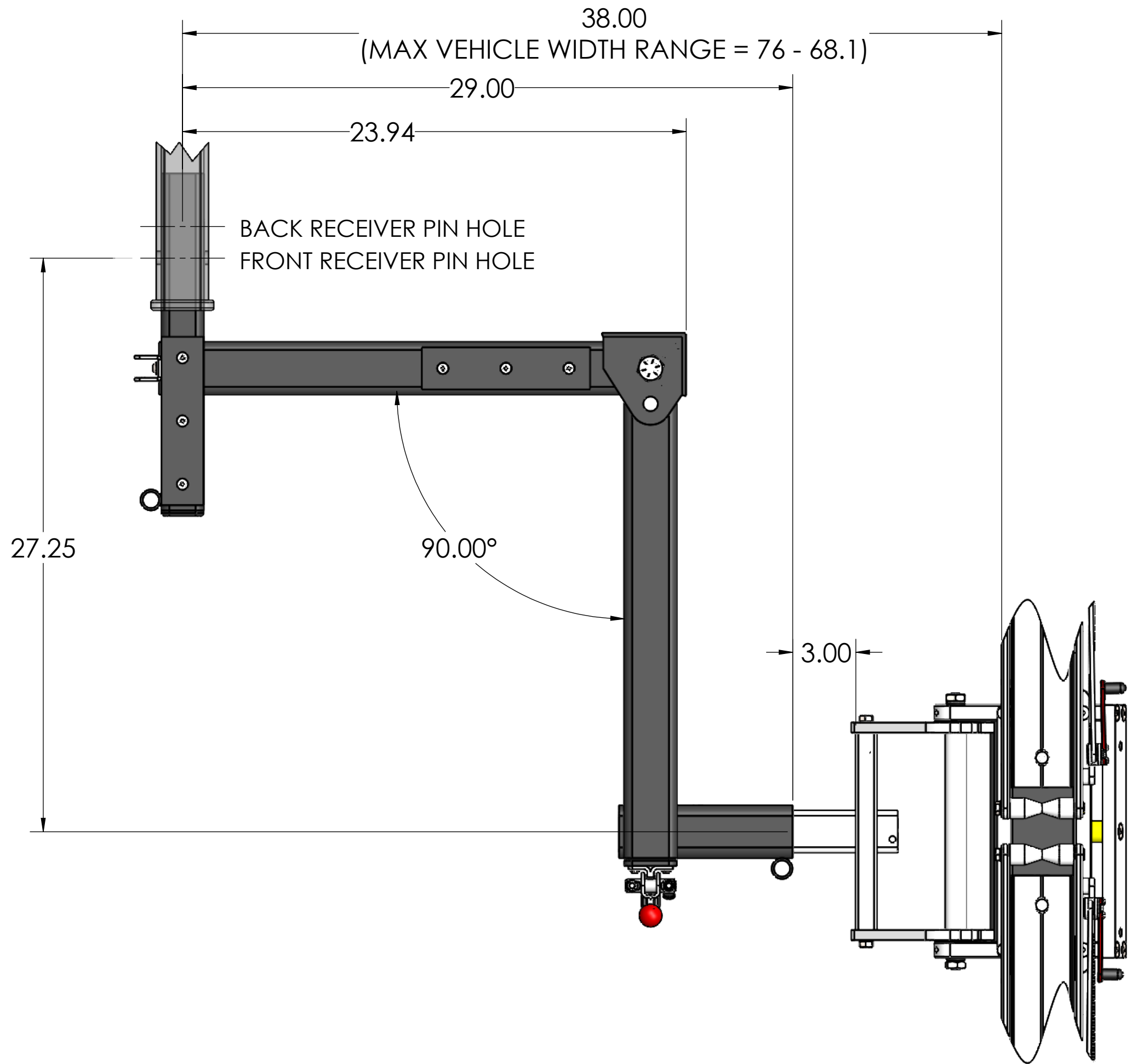


MEDIUM PASSENGER SIDE

MEDIUM DRIVER SIDE DIMENSIONS TO MATCH. ONLY DIFFERENCE IS THAT UNIT SWINGS TO OPPOSITE SIDE OF THE VEHICLE.
 ALL DIMENSIONS IN INCHES.



MEDIUM PASSENGER SIDE

MEDIUM DRIVER SIDE DIMENSIONS TO MATCH. ONLY DIFFERENCE IS THAT UNIT SWINGS TO OPPOSITE SIDE OF THE VEHICLE.
ALL DIMENSIONS IN INCHES.