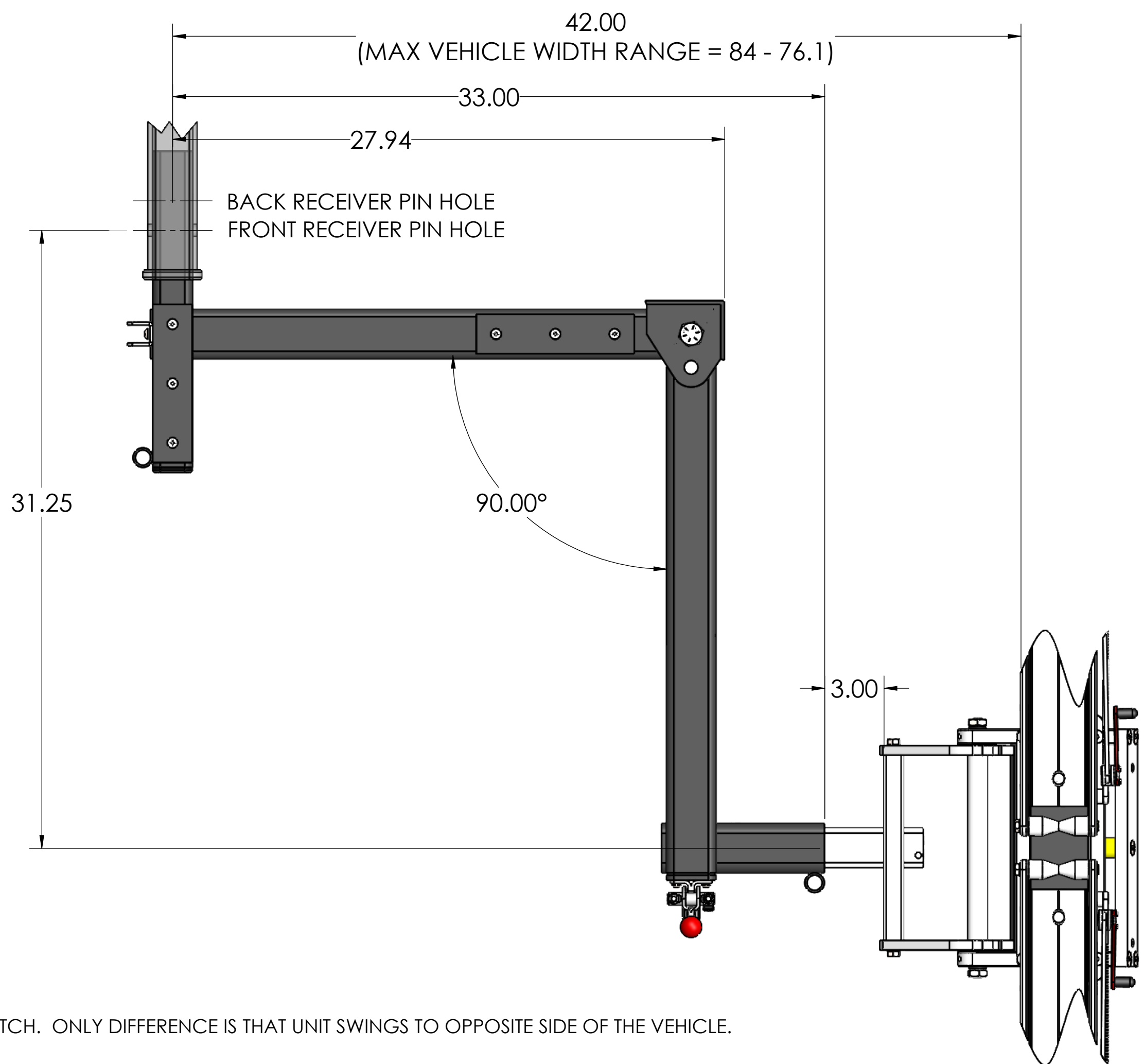


LARGE PASSENGER SIDE

LARGE DRIVER SIDE DIMENSIONS TO MATCH. ONLY DIFFERENCE IS THAT UNIT SWINGS TO OPPOSITE SIDE OF THE VEHICLE.
ALL DIMENSIONS IN INCHES.



LARGE PASSENGER SIDE

LARGE DRIVER SIDE DIMENSIONS TO MATCH. ONLY DIFFERENCE IS THAT UNIT SWINGS TO OPPOSITE SIDE OF THE VEHICLE.
ALL DIMENSIONS IN INCHES.